

PRE-DESIGN RB32-31 OR RB32-31B

NOTE: PLANS INCLUDE DETAILS FOR THE PRE-DESIGNED MODEL SLIDE RB32-31 AND ITS MIRRORED VERSION RB32-31B. PAY CLOSE ATTN TO THIS WHEN SELECTING THE SUPPORT LOCATION SHEET.

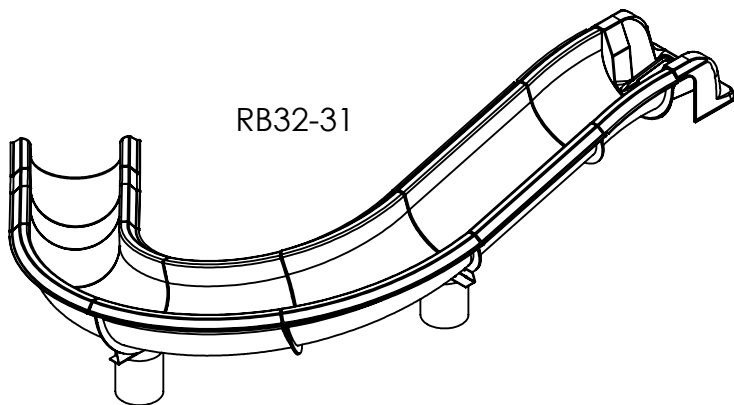


www.dolphinwaterslides.net
sales@dolphinwaterslides.net

PO BOX 486
ADAMSVILLE, TN 38310

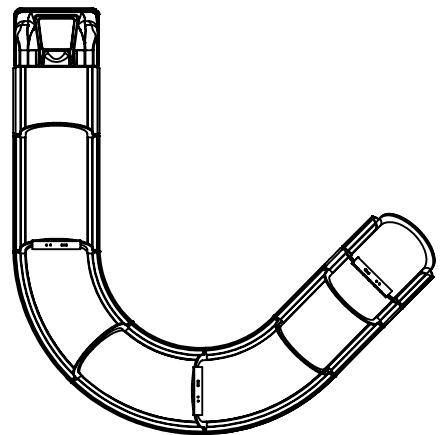
P: (731)632-1407

F: (731)632-3739

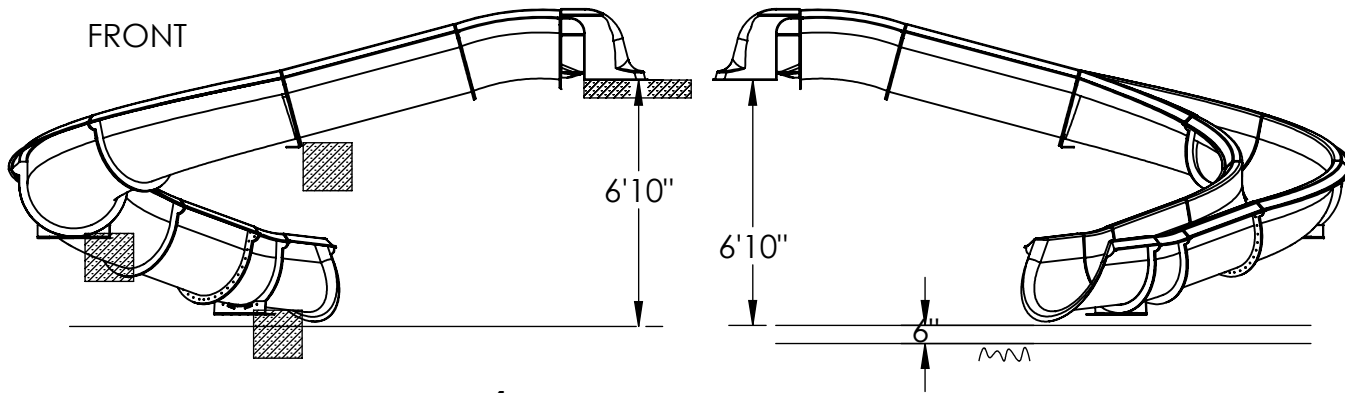


RB32-31

CONSTRUCTION PLANS
FOR RB32-31 AND ALSO
INCLUDES PLANS FOR THE
RB32-31B

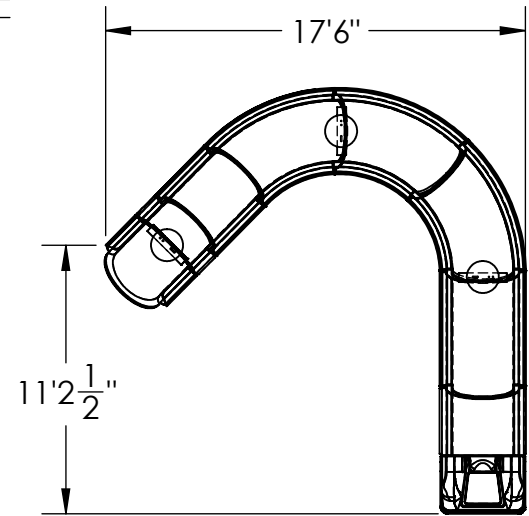
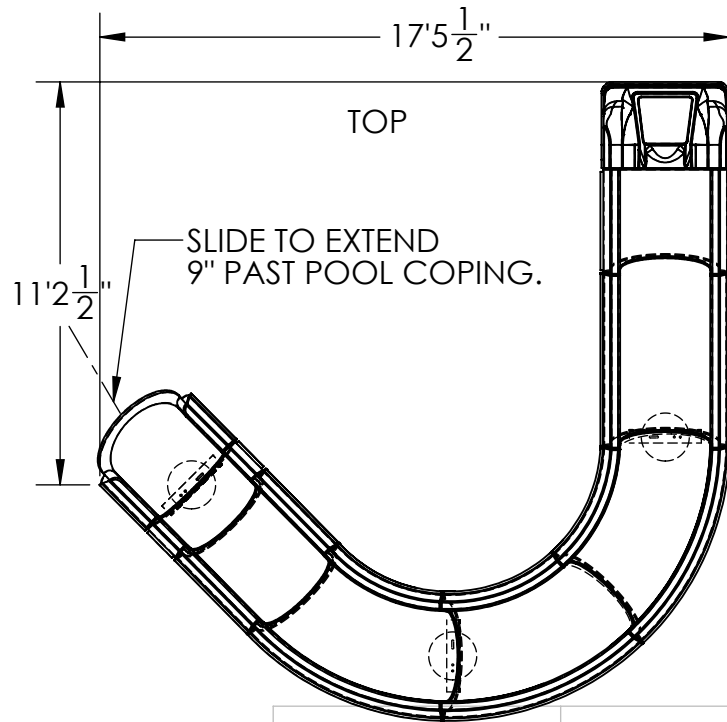


MIRRORED
RB32-31B



APPROVED BY: _____

DATE: _____



RB32-22B
MIRRORED VERSION

ALL 32" OPEN AND ENCLOSED FLUME SLIDES ARE CONSTRUCTED OF LAMINATED FIBERGLASS REINFORCED MARINE GELCOAT SURFACE.

MATERIAL THICKNESS: 1/4"-3/8"

STEEL SUPPORTS: 3

FLUME TYPE	32" OPEN
CL LENGTH	31.53'
ELEVATION	6'-10"
ENTRY ANGLE	15°
SLOPE	23.71%
FALL PER FOOT	2.85"
GPM REQUIRED	150-175
WATER DEPTH	4'-0" MINIMUM

TITLE: **RB32-31 OR RB32-31B**

SIZE	REV
A	PRE-DESIGN



PO Box 486 P: 731.632.1407
Adamsville, TN 38310 F: 731.632.3739

www.dolphinwaterslides.net
sales@dolphinwaterslides.net

SCALE: 1:64 - 3/16" = 1'

DRAWN 9/17/17 RJ

PROPRIETARY AND CONFIDENTIAL

THE INFORMATION CONTAINED IN THIS DRAWING IS THE SOLE PROPERTY OF DOLPHIN WATERSLIDES, INC. ANY REPRODUCTION IN PART OR AS A WHOLE WITHOUT THE WRITTEN PERMISSION OF DOLPHIN WATERSLIDES, INC IS PROHIBITED.