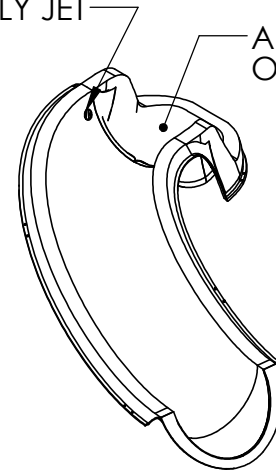
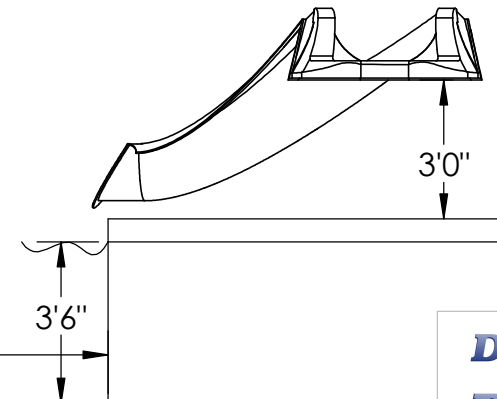


SLIDE EQUIPPED WITH
1-1/2" WATER SUPPLY JET

ANTI-SLIP SURFACE
ON ENTRANCE AREA



APPROVED BY: _____
DATE: _____



MAX WGT. LIMIT	275 LBS
FINISHED SLIDE WGT	APPX: 145 LBS
MATERIAL THICKNESS	FLUME 1/4" FLANGES 5/16"-3/8"
RIDE LENGTH	10'
MATERIAL	FIBERGLASS LAMINATE
FINISH	GELCOAT
WATER DEPTH	3'-6" MINIMUM

TITLE: **10' LITTLE DOLPHIN**

SIZE
A

LEFT TURN

REV



PO Box 486 P: 731.632.1407
Adamsville, TN 38310 F: 731.632.3739

www.dolphinwaterslides.net
sales@dolphinwaterslides.net

DRAWN J.GEST 2/3/2022

SCALE: 1:50

PROPRIETARY AND CONFIDENTIAL
THE INFORMATION CONTAINED IN THIS DRAWING IS THE SOLE PROPERTY OF DOLPHIN WATERSLIDES, INC. ANY REPRODUCTION IN PART OR AS A WHOLE WITHOUT THE WRITTEN PERMISSION OF DOLPHIN WATERSLIDES, INC IS PROHIBITED.