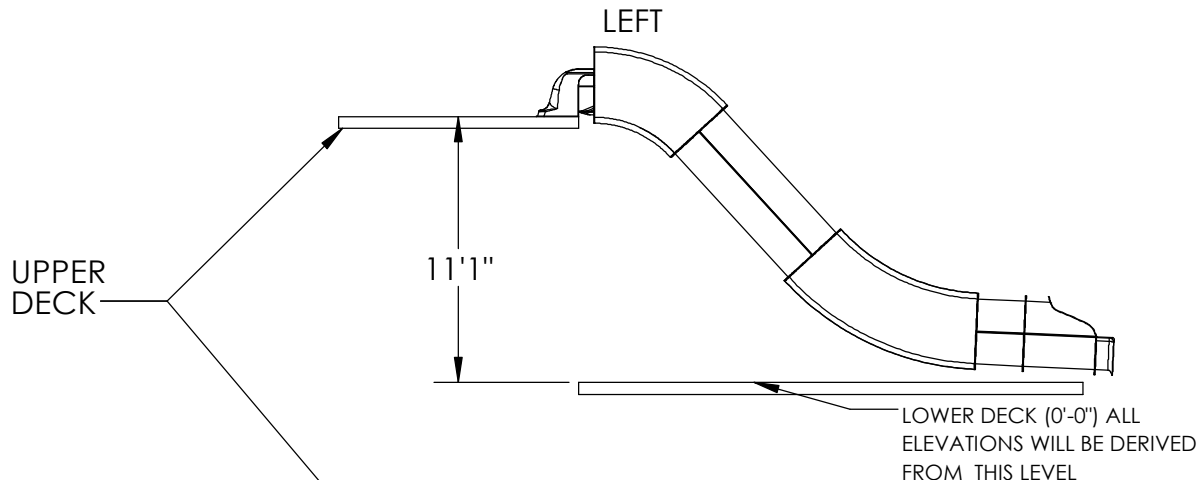
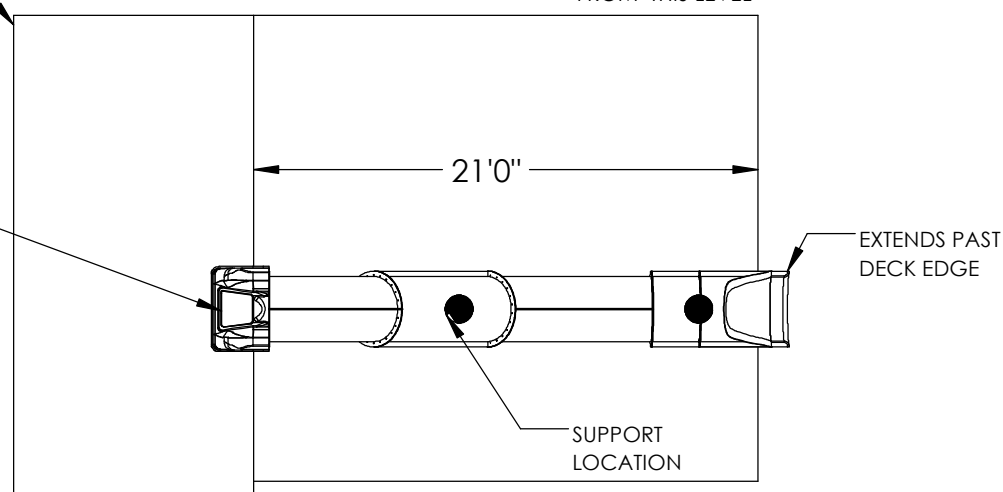


FLUME DIMENSIONS



ENTRY ANCHORED TO DECK LAGGED THRU PERIMETER FLANGE



MATERIAL THICKNESS: 1/4"-3/8"

STEEL SUPPORTS: 2

FLUME TYPE	ENCLOSED
CL LENGTH	27.71'
ELEVATION	11' - 1"
ENTRY ANGLE	45 °
SLOPE	N/A %
FALL PER FOOT	N/A"
GPM REQUIRED	100-125
WATER DEPTH	4'-0" MINIMUM

APPROVED BY: _____
DATE: _____

TITLE: **MODEL: KLEAR TUBE**

SIZE **A** **PRE DESIGNED WATER SLIDE** REV



PO Box 486 P: 731.632.1407
Adamsville, TN 38310 F: 731.632.3739

www.dolphinwaterslides.net
sales@dolphinwaterslides.net

PROPRIETARY AND CONFIDENTIAL
THE INFORMATION CONTAINED IN THIS DRAWING IS THE SOLE PROPERTY OF DOLPHIN WATERSLIDES, INC. ANY REPRODUCTION IN PART OR AS A WHOLE WITHOUT THE WRITTEN PERMISSION OF DOLPHIN WATERSLIDES, INC IS PROHIBITED.

DRAWN 8.Thomas 8/31/2017

SCALE: 1:96 - 1/8" = 1'