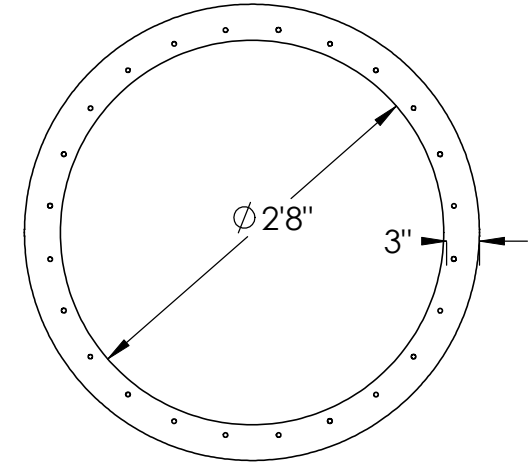
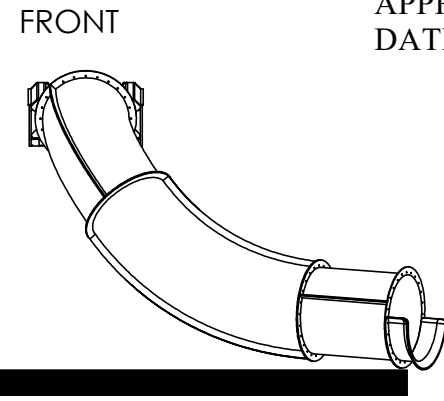
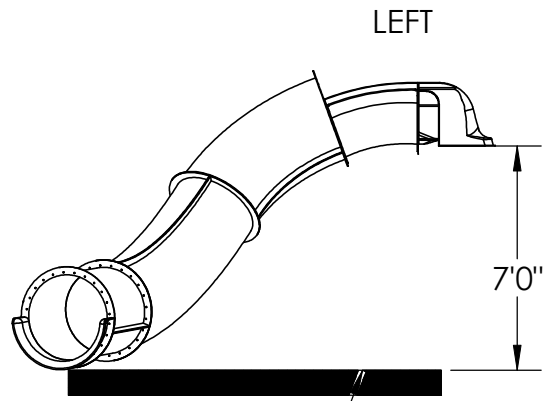


APPROVED BY: \_\_\_\_\_  
 DATE: \_\_\_\_\_

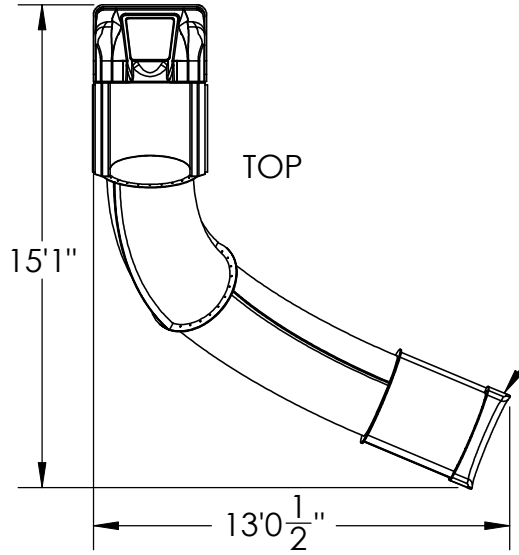


POOL COPING (0'-0") ALL ELEVATION DIMENSIONS ARE DERIVED FROM THIS LINE

ENTRY SUPPORT AND  $\phi 16"$  PIERS (BY OTHERS) DEPTH DETERMINED BY LOCAL FROST DEPTH

ALL 32" OPEN AND ENCLOSED FLUME SLIDES ARE CONSTRUCTED OF LAMINATED FIBERGLASS REINFORCED MARINE GELCOAT SURFACE.

MATERIAL THICKNESS: 1/4"-3/8"



EXTENDS PAST POOL COPING

STEEL SUPPORTS: 2

FLUME TYPE	ENCLOSED
CL LENGTH	22.51'
ELEVATION	7'-0"
ENTRY ANGLE	15°
SLOPE	31%
FALL PER FOOT	3.7"
GPM REQUIRED	100-125
WATER DEPTH	4'-0" MINIMUM

TITLE: **PREDESIGN**

SIZE  
**A**

**RE32-22**

REV



PO Box 486  
 Adamsville, TN 38310  
 P: 731.632.1407  
 F: 731.632.3739

www.dolphinwaterslides.net  
 sales@dolphinwaterslides.net

**PROPRIETARY AND CONFIDENTIAL**  
 THE INFORMATION CONTAINED IN THIS DRAWING IS THE SOLE PROPERTY OF DOLPHIN WATERSLIDES, INC. ANY REPRODUCTION IN PART OR AS A WHOLE WITHOUT THE WRITTEN PERMISSION OF DOLPHIN WATERSLIDES, INC IS PROHIBITED.

DRAWN B.Thomas 4/19/2013

SCALE: 1:72 - 3/16" = 1'