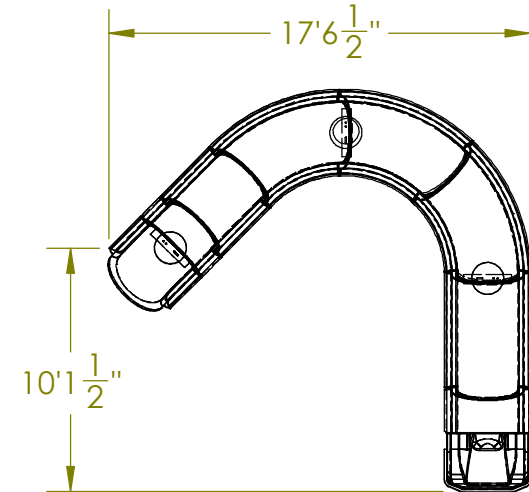
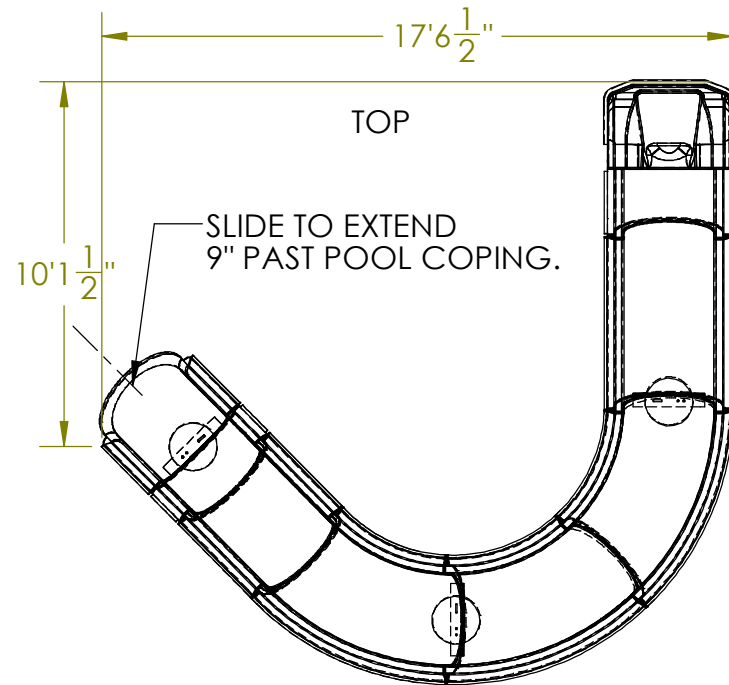


APPROVED BY: \_\_\_\_\_

DATE: \_\_\_\_\_



**RB32-31B**  
MIRRORED VERSION

ALL 32" OPEN AND ENCLOSED FLUME SLIDES ARE CONSTRUCTED OF LAMINATED FIBERGLASS REINFORCED MARINE GELCOAT SURFACE.

MATERIAL THICKNESS: 1/4"-3/8"

STEEL SUPPORTS: 3

|               |               |
|---------------|---------------|
| FLUME TYPE    | 32" OPEN      |
| CL LENGTH     | 31.53'        |
| ELEVATION     | 6'-10"        |
| ENTRY ANGLE   | 15°           |
| SLOPE         | 23.71%        |
| FALL PER FOOT | 2.85"         |
| GPM REQUIRED  | 150-175       |
| WATER DEPTH   | 4'-0" MINIMUM |

TITLE: **RB32-31 OR RB32-31B**

SIZE

**A**

**PRE-DESIGN**

REV



PO Box 486 P: 731.632.1407  
Adamsville, TN 38310 F: 731.632.3739

www.dolphinwaterslides.net  
sales@dolphinwaterslides.net

SCALE: 1:64 - 3/16" = 1'

DRAWN 9/17/17 RJ

**PROPRIETARY AND CONFIDENTIAL**

THE INFORMATION CONTAINED IN THIS DRAWING IS THE SOLE PROPERTY OF DOLPHIN WATERSLIDES, INC. ANY REPRODUCTION IN PART OR AS A WHOLE WITHOUT THE WRITTEN PERMISSION OF DOLPHIN WATERSLIDES, INC IS PROHIBITED.