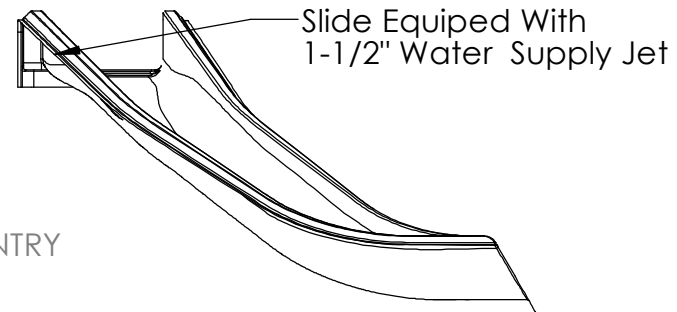
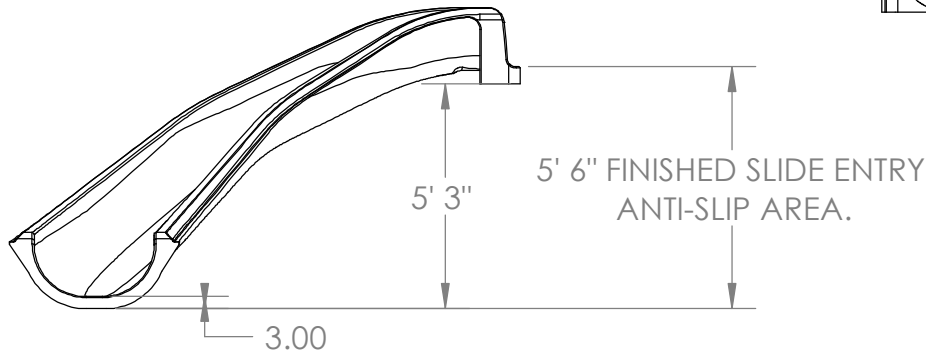


APPROVED: \_\_\_\_\_

DATE: \_\_\_\_\_



WATER DEPTH: 3'6" MIN.  
SEE SLIDE ENVELOPE FOR  
MORE DETAILS.

**PROPRIETARY AND CONFIDENTIAL**

THE INFORMATION CONTAINED IN THIS  
DRAWING IS THE SOLE PROPERTY OF  
Dolphin Waterslides, Inc. ANY  
REPRODUCTION IN PART OR AS A WHOLE  
WITHOUT THE WRITTEN PERMISSION OF  
Dolphin Waterslides, Inc IS  
PROHIBITED.

C/L LENGTH	15'-6"
ELEVATION	5'-3"
MATERIAL THICKNESS	FLUME: 1/4" FLANGES: 5/16"-3/8"
MATERIAL	FIBERGLASS LAMINATE
FINISH	GELCOAT

MAX WEIGHT LIMIT 275 LBS

TITLE: **15'-6" DOLPHIN™**

SIZE	REV
<b>A</b>	<b>LEFT TURN</b>



PO Box 486 P: 731.632.1407  
Adamsville, TN 38310 F: 731.632.3739

www.dolphinwaterslides.net  
sales@dolphinwaterslides.net

DRAWN B.Thomas 2/28/2007 REV 04/17/18 RM

AVG SLIDE WEIGHT: 210 LBS

SHEET 1 OF 1

SCALE: 1/4"=1'

1:48