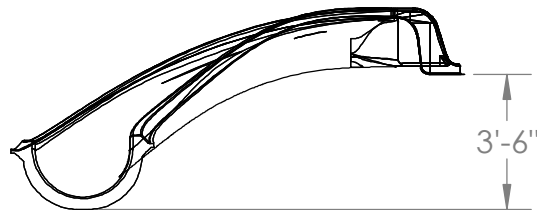
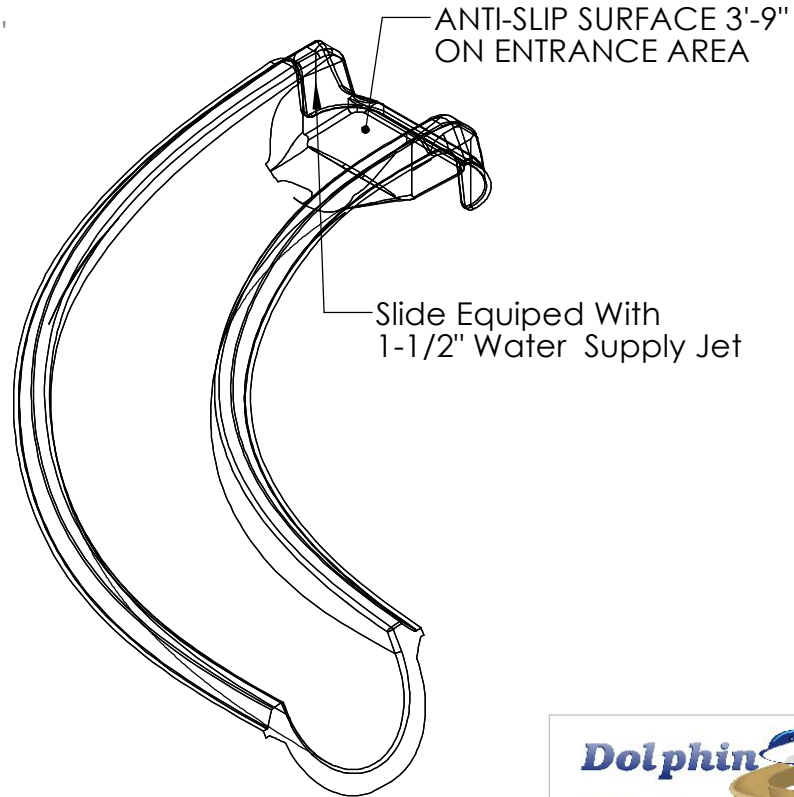


APPROVED BY: _____

DATE: _____



WATER DEPTH 3'6" MIN.
SEE SLIDE ENVELOPE
FOR MORE DETAILS.

PROPRIETARY AND CONFIDENTIAL

THE INFORMATION CONTAINED IN THIS DRAWING IS THE SOLE PROPERTY OF DOLPHIN WATERSLIDES, INC. ANY REPRODUCTION IN PART OR AS A WHOLE WITHOUT THE WRITTEN PERMISSION OF DOLPHIN WATERSLIDES, INC IS PROHIBITED.

C/L LENGTH	10'
ELEVATION:	3'-6"
MATERIAL THICKNESS	FLUME: 1/4" FLANGES: 5/16"-3/8"
MATERIAL	FIBERGLASS LAMINATE
FINISH	GELCOAT
DRAWN BY	B.Thomas 5/8/2009 REV RM 04/17/18

MAX WEIGHT LIMIT 275 LBS

TITLE: **10' Little Dolphin ©**

SIZE	REV
A	LEFT TURN

AVG SLIDE WEIGHT: 150 LBS



PO Box 486
Adamsville, TN 38310
P: 731.632.1407
F: 731.632.3739

www.dolphinwaterslides.net
sales@dolphinwaterslides.net

SCALE: 1/4"=1' 1:48