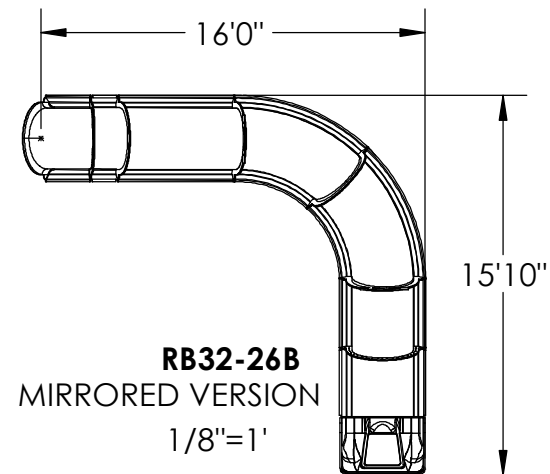
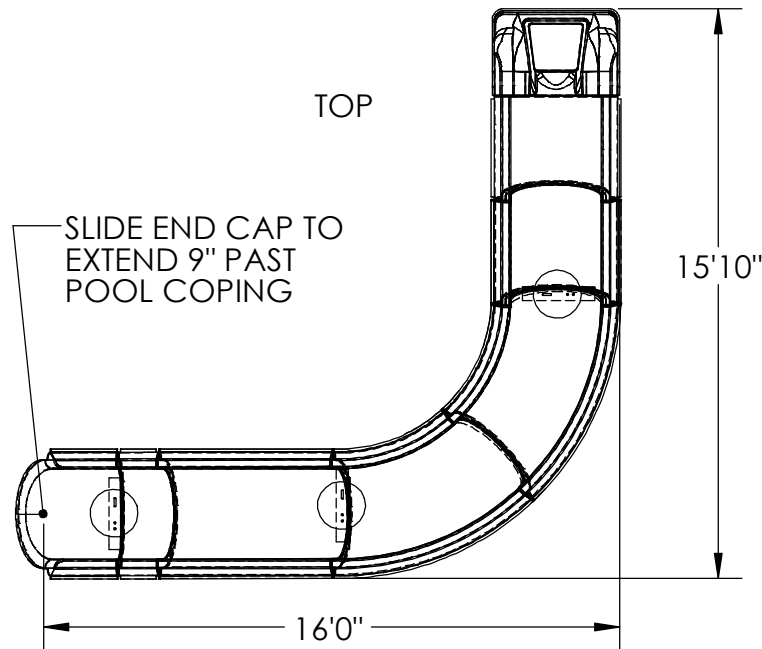


APPROVED BY: _____

DATE: _____



ALL 32" OPEN AND ENCLOSED FLUME SLIDES ARE CONSTRUCTED OF LAMINATED FIBERGLASS REINFORCED MARINE GELCOAT SURFACE.

MATERIAL THICKNESS: 1/4"-3/8"

STEEL SUPPORTS: 3

FLUME TYPE	32" OPEN
CL LENGTH	26.82'
ELEVATION	5' 6"
ENTRY ANGLE	15°
SLOPE	22.62%
FALL PER FOOT	2.71"
GPM REQUIRED	125-150
WATER DEPTH	4'-0" MINIMUM

TITLE: **RB32-26 OR RB32-26B**

SIZE

A

PRE-DESIGN

REV



PO Box 486 P: 731.632.1407
 Adamsville, TN 38310 F: 731.632.3739

www.dolphinwaterslides.net
 sales@dolphinwaterslides.net

SCALE: 1:64 - 3/16" = 1'

DRAWN 9/17/17 RJ

PROPRIETARY AND CONFIDENTIAL

THE INFORMATION CONTAINED IN THIS DRAWING IS THE SOLE PROPERTY OF DOLPHIN WATERSLIDES, INC. ANY REPRODUCTION IN PART OR AS A WHOLE WITHOUT THE WRITTEN PERMISSION OF DOLPHIN WATERSLIDES, INC IS PROHIBITED.