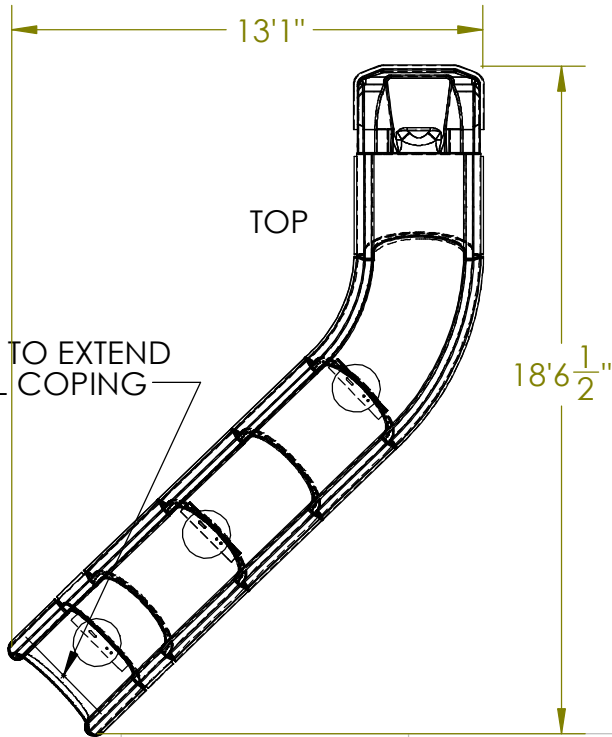
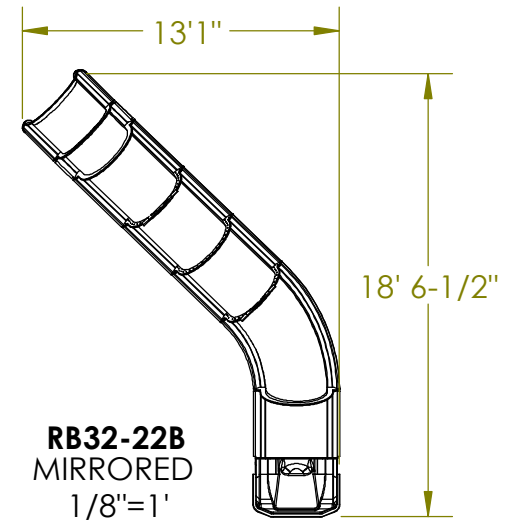


APPROVED BY: _____

DATE: _____



SLIDE ENCAP TO EXTEND 9" PAST POOL COPING



RB32-22B
MIRRORED
1/8"=1'

ALL 32" OPEN AND ENCLOSED FLUME SLIDES ARE CONSTRUCTED OF LAMINATED FIBERGLASS REINFORCED MARINE GELCOAT SURFACE.

MATERIAL THICKNESS: 1/4"-3/8"

STEEL SUPPORTS: 3

FLUME TYPE	32" OPEN
CL LENGTH	21.95'
ELEVATION	5' 6"
ENTRY ANGLE	20°
SLOPE	27.63%
FALL PER FOOT	3.32"
GPM REQUIRED	125-150
WATER DEPTH	4'-0" MINIMUM

TITLE: **RB32-22 OR RB32-22B**

SIZE

A

PRE-DESIGN

REV



PO Box 486 P: 731.632.1407
Adamsville, TN 38310 F: 731.632.3739

www.dolphinwaterslides.net
sales@dolphinwaterslides.net

SCALE: 1:64 - 3/16" = 1'

DRAWN 9/17/17 RJ

PROPRIETARY AND CONFIDENTIAL

THE INFORMATION CONTAINED IN THIS DRAWING IS THE SOLE PROPERTY OF DOLPHIN WATERSLIDES, INC. ANY REPRODUCTION IN PART OR AS A WHOLE WITHOUT THE WRITTEN PERMISSION OF DOLPHIN WATERSLIDES, INC IS PROHIBITED.