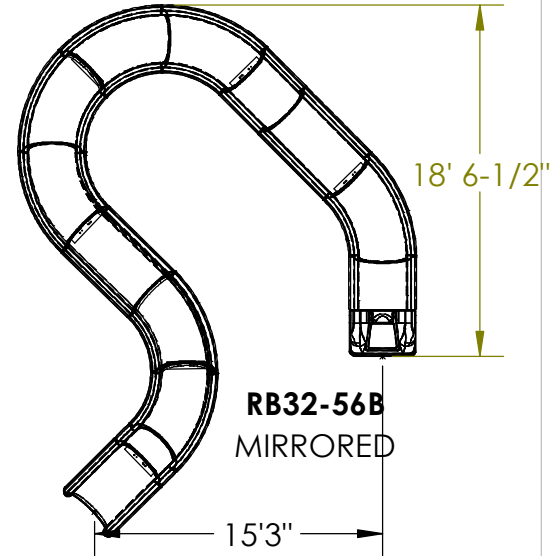
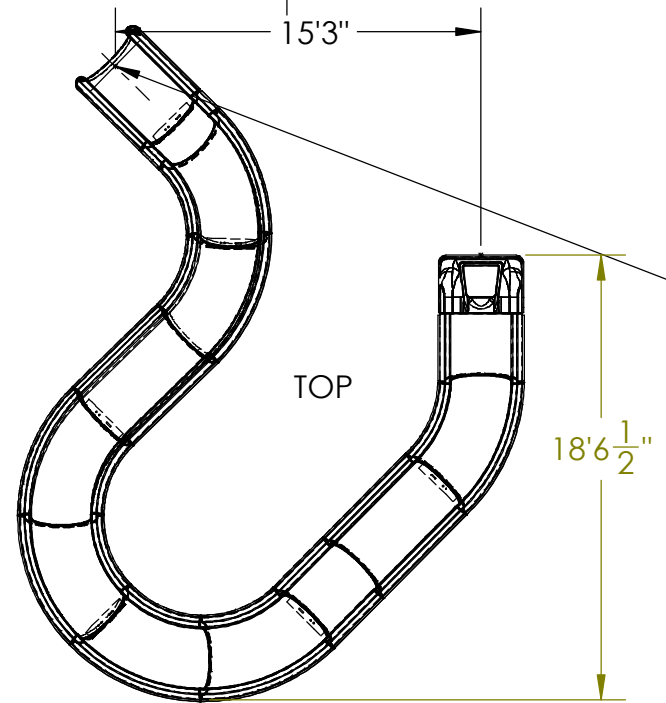
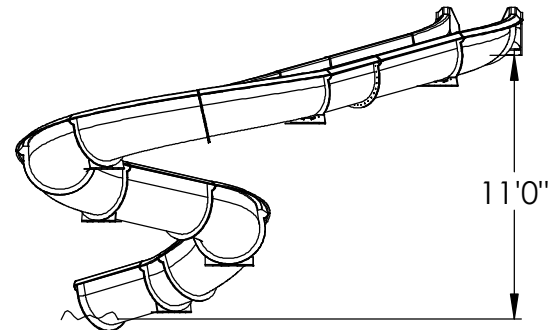
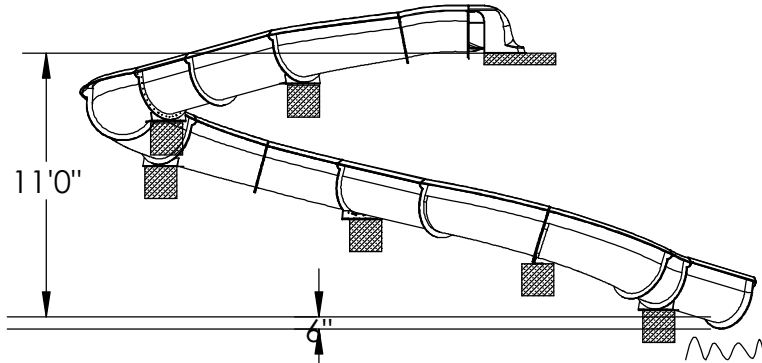


APPROVED BY: \_\_\_\_\_

DATE: \_\_\_\_\_



SLIDE ENDCAP TO EXTEND 9" PAST POOL COPING.

ALL 32" OPEN AND ENCLOSED FLUME SLIDES ARE CONSTRUCTED OF LAMINATED FIBERGLASS REINFORCED MARINE GELCOAT SURFACE.

MATERIAL THICKNESS: 1/4"-3/8"

STEEL SUPPORTS: 6

FLUME TYPE	32" OPEN
CL LENGTH	56.39'
ELEVATION	11'-0"
ENTRY ANGLE	10°
SLOPE	20.37%
FALL PER FOOT	2.44"
GPM REQUIRED	150-175
WATER DEPTH	4'-0" MINIMUM

TITLE: **RB32-56 OR RB32-56B**

SIZE	REV
<b>A</b>	<b>PRE-DESIGN</b>



PO Box 486  
 Adamsville, TN 38310  
 P: 731.632.1407  
 F: 731.632.3739

www.dolphinwaterslides.net  
 sales@dolphinwaterslides.net

SCALE: 1:96 - 1/8" = 1'

**PROPRIETARY AND CONFIDENTIAL**  
 THE INFORMATION CONTAINED IN THIS DRAWING IS THE SOLE PROPERTY OF DOLPHIN WATERSLIDES, INC. ANY REPRODUCTION IN PART OR AS A WHOLE WITHOUT THE WRITTEN PERMISSION OF DOLPHIN WATERSLIDES, INC IS PROHIBITED.

DRAWN 10/23/17 RJ