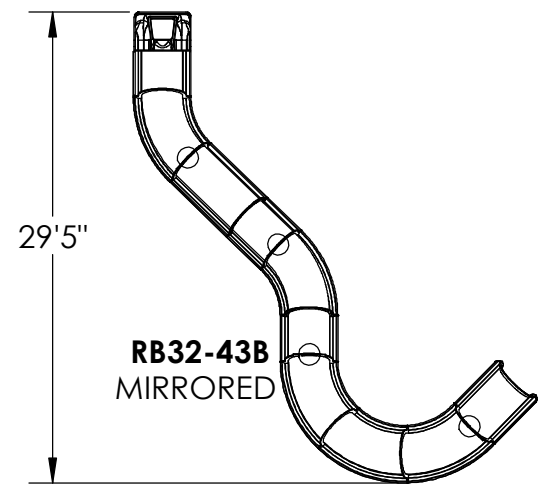
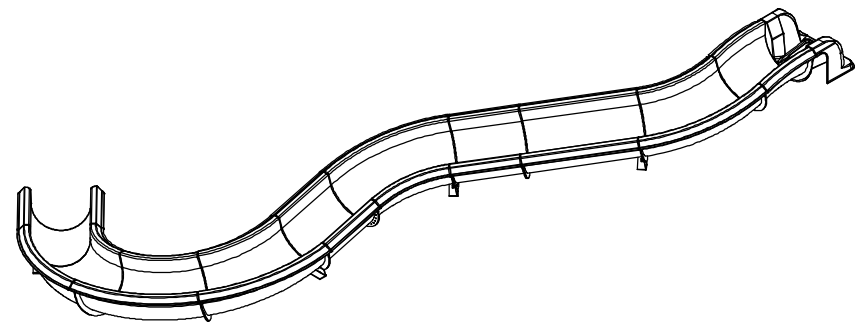
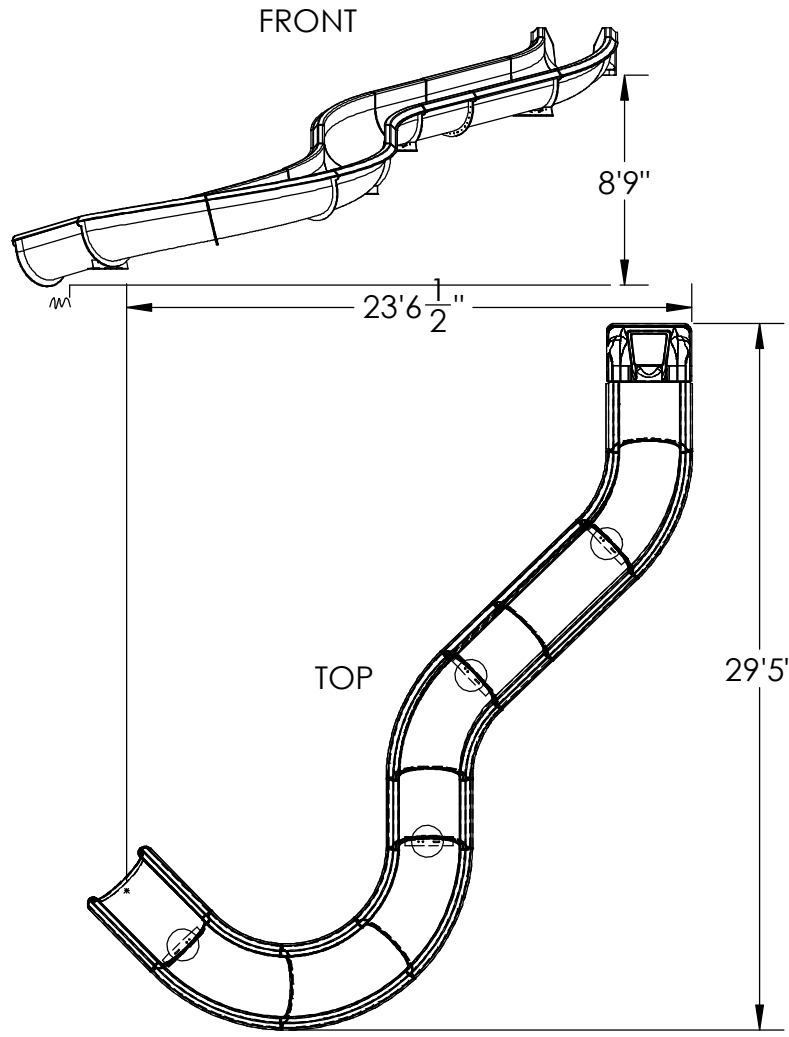


APPROVED BY: _____

DATE: _____



ALL 32" OPEN AND ENCLOSED FLUME SLIDES ARE CONSTRUCTED OF LAMINATED FIBERGLASS REINFORCED MARINE GELCOAT SURFACE.

MATERIAL THICKNESS: 1/4"-3/8"

STEEL SUPPORTS: 3

FLUME TYPE	32" OPEN
CL LENGTH	43.58'
ELEVATION	8' 9"
ENTRY ANGLE	15°
SLOPE	21.27%
FALL PER FOOT	2.55"
GPM REQUIRED	125-150
WATER DEPTH	4'-0" MINIMUM

TITLE: **RB32-43 OR RB32-43B**

SIZE	REV
A	PRE-DESIGN



PO Box 486
 Adamsville, TN 38310
 P: 731.632.1407
 F: 731.632.3739

www.dolphinwaterslides.net
 sales@dolphinwaterslides.net

SCALE: 1:96 - 1/8" = 1'

PROPRIETARY AND CONFIDENTIAL
 THE INFORMATION CONTAINED IN THIS DRAWING IS THE SOLE PROPERTY OF DOLPHIN WATERSLIDES, INC. ANY REPRODUCTION IN PART OR AS A WHOLE WITHOUT THE WRITTEN PERMISSION OF DOLPHIN WATERSLIDES, INC IS PROHIBITED.

DRAWN 9/17/17 RJ