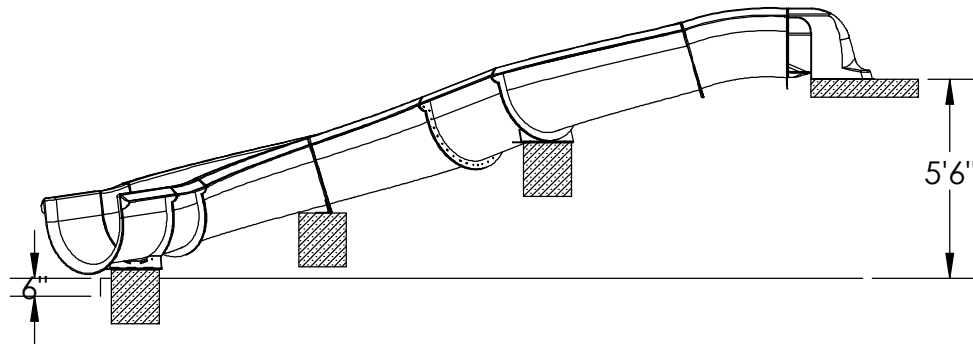
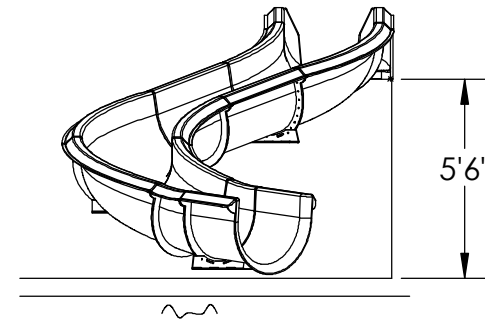


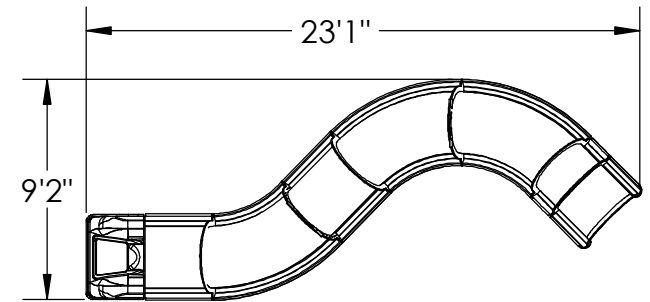
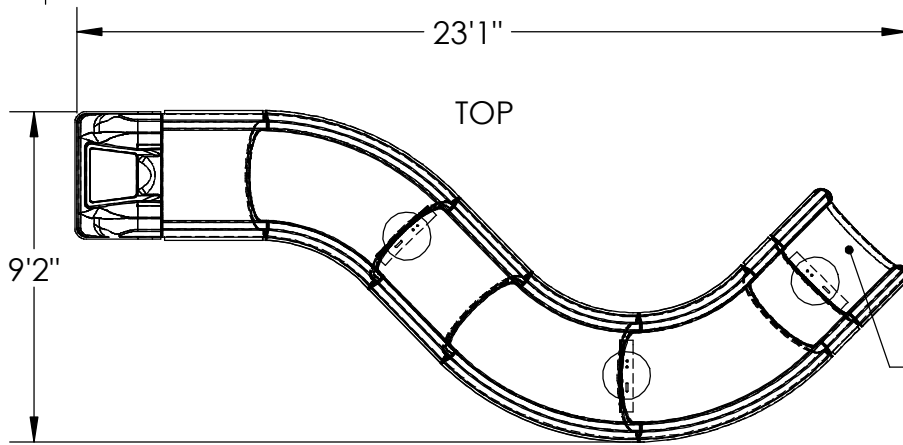
RIGHT



BACK



TOP



SLIDE END CAP TO EXTEND 9" PAST POOL COPING

RB32-25B

MIRRORED VERSION

1/8"=1'

ALL 32" OPEN AND ENCLOSED FLUME SLIDES ARE CONSTRUCTED OF LAMINATED FIBERGLASS REINFORCED MARINE GELCOAT SURFACE.

MATERIAL THICKNESS: 1/4"-3/8"

TITLE: **RB32-25 OR RB32-25B**



PO Box 486 P: 731.632.1407
 Adamsville, TN 38310 F: 731.632.3739

www.dolphinwaterslides.net
 sales@dolphinwaterslides.net

STEEL SUPPORTS: 3

FLUME TYPE	32" OPEN
CL LENGTH	25.53'
ELEVATION	5'-6"
ENTRY ANGLE	15°
SLOPE	22.80%
FALL PER FOOT	2.73"
GPM REQUIRED	125-150
WATER DEPTH	4'-0" MINIMUM

SIZE

A

PRE-DESIGN

REV

DRAWN B.Thomas 6/18/2010

SCALE: 1:96 - 1/8" = 1' SCALE: 1:64 - 3/16" = 1'

PROPRIETARY AND CONFIDENTIAL

THE INFORMATION CONTAINED IN THIS DRAWING IS THE SOLE PROPERTY OF DOLPHIN WATERSLIDES, INC. ANY REPRODUCTION IN PART OR AS A WHOLE WITHOUT THE WRITTEN PERMISSION OF DOLPHIN WATERSLIDES, INC IS PROHIBITED.