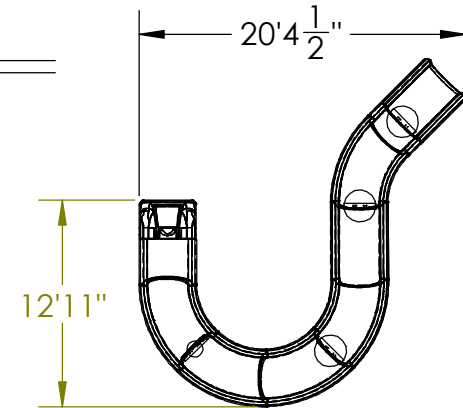
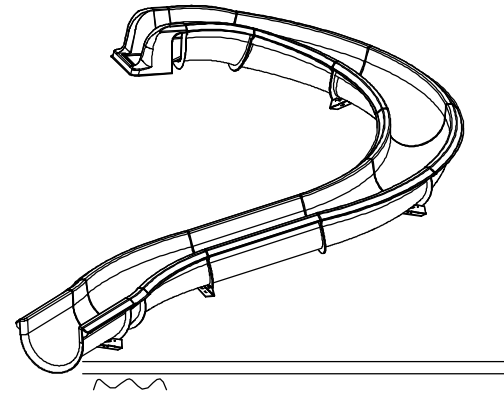
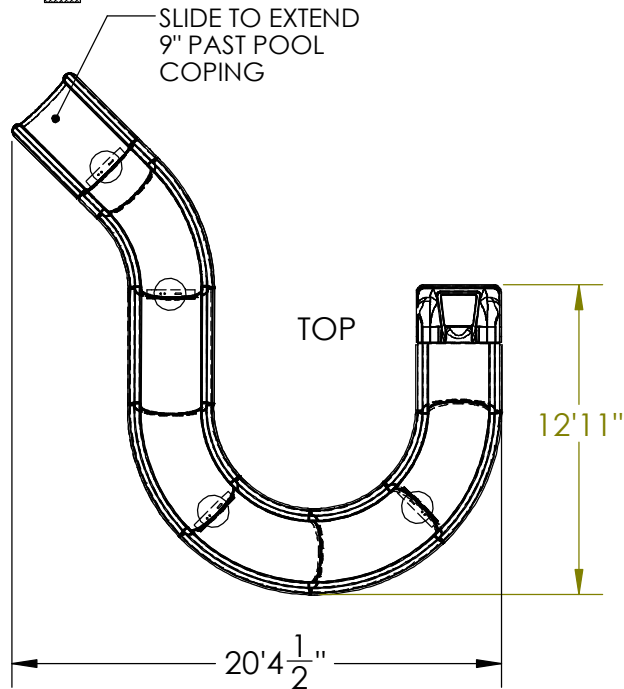
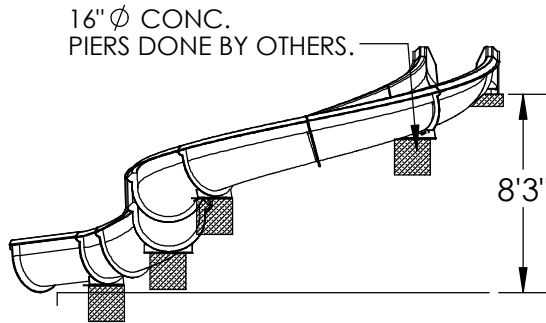


APPROVED BY: _____

DATE: _____



RB32-39B
MIRRORED VERSION
1:144 OR 1/16"=1'

ALL 32" OPEN AND ENCLOSED FLUME SLIDES ARE CONSTRUCTED OF LAMINATED FIBERGLASS REINFORCED MARINE GELCOAT SURFACE.

MATERIAL THICKNESS: 1/4"-3/8"

STEEL SUPPORTS: 4

FLUME TYPE	32" OPEN
CL LENGTH	38.96'
ELEVATION	8' 3"
ENTRY ANGLE	15°
SLOPE	21.94%
FALL PER FOOT	2.64"
GPM REQUIRED	125-150
WATER DEPTH	4'-0" MINIMUM

TITLE: **RB32-39 OR RB32-39B**

SIZE

A

PRE-DESIGN

REV



PO Box 486 P: 731.632.1407
Adamsville, TN 38310 F: 731.632.3739

www.dolphinwaterslides.net
sales@dolphinwaterslides.net

SCALE: 1:96 - 1/8" = 1'

DRAWN 9/17/17 RJ

PROPRIETARY AND CONFIDENTIAL

THE INFORMATION CONTAINED IN THIS DRAWING IS THE SOLE PROPERTY OF DOLPHIN WATERSLIDES, INC. ANY REPRODUCTION IN PART OR AS A WHOLE WITHOUT THE WRITTEN PERMISSION OF DOLPHIN WATERSLIDES, INC IS PROHIBITED.