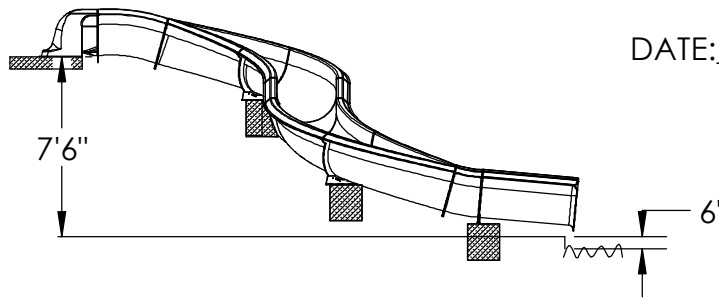
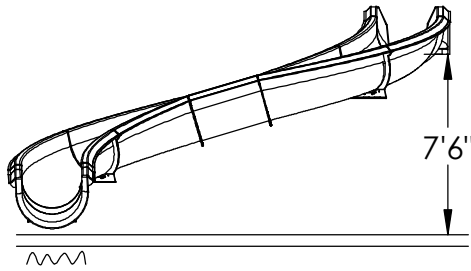


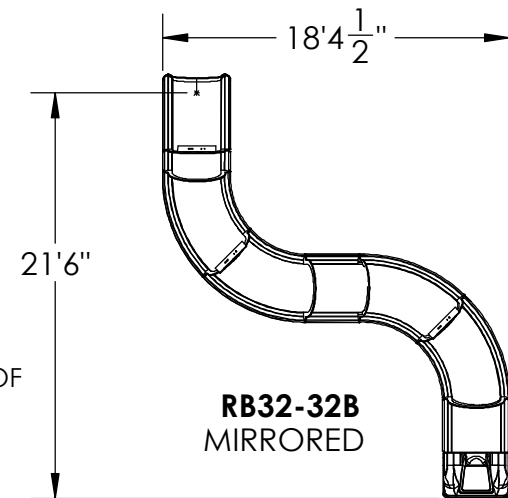
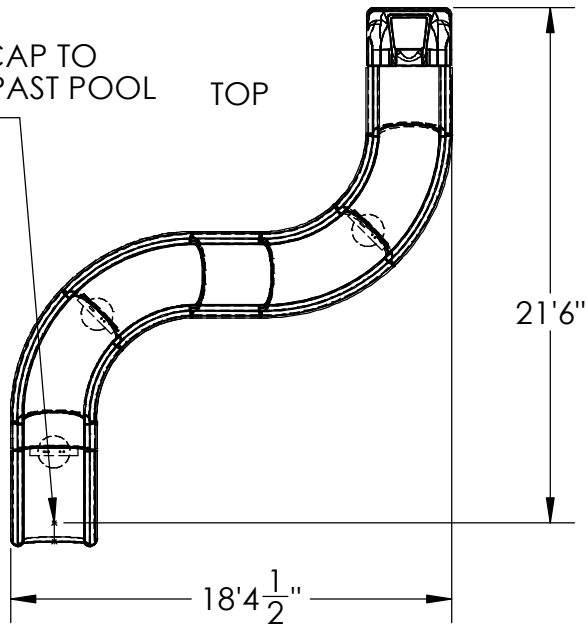
FRONT



APPROVED BY: _____

DATE: _____

SLIDE ENDCAP TO EXTEND 9" PAST POOL COPING.



ALL 32" OPEN AND ENCLOSED FLUME SLIDES ARE CONSTRUCTED OF LAMINATED FIBERGLASS REINFORCED MARINE GELCOAT SURFACE.

MATERIAL THICKNESS: 1/4"-3/8"

RB32-32B
MIRRORED

STEEL SUPPORTS: 3

FLUME TYPE	32" OPEN
CL LENGTH	32.24'
ELEVATION	7'- 6"
ENTRY ANGLE	15°
SLOPE	25.21%
FALL PER FOOT	3.03"
GPM REQUIRED	150-175
WATER DEPTH	4'-0" MINIMUM

TITLE: **RB32-32 OR RB32-32B**

SIZE
A

PRE-DESIGN

REV



PO Box 486 P: 731.632.1407
Adamsville, TN 38310 F: 731.632.3739

www.dolphinwaterslides.net
sales@dolphinwaterslides.net

DRAWN 9/17/17 RJ

SCALE: 1:96 - 1/8" = 1'

PROPRIETARY AND CONFIDENTIAL
THE INFORMATION CONTAINED IN THIS DRAWING IS THE SOLE PROPERTY OF DOLPHIN WATERSLIDES, INC. ANY REPRODUCTION IN PART OR AS A WHOLE WITHOUT THE WRITTEN PERMISSION OF DOLPHIN WATERSLIDES, INC IS PROHIBITED.