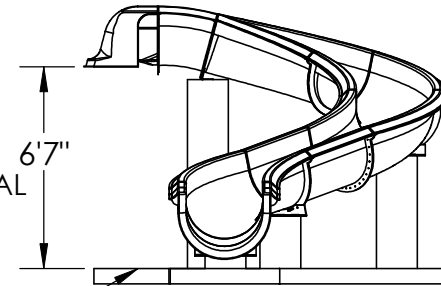


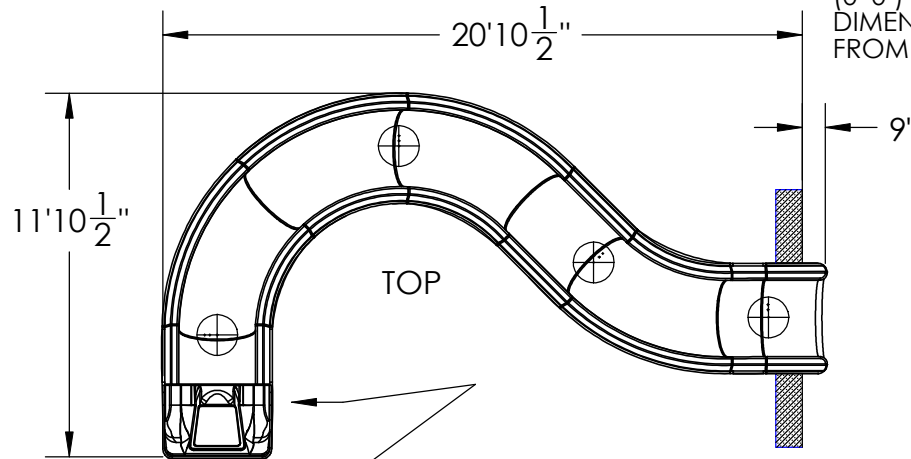
FRONT

PIER ELEVATION SPECIFIED IN CONSTRUCTION DRAWINGS, DEPTH DETERMINED BY LOCAL FROST DEPTH

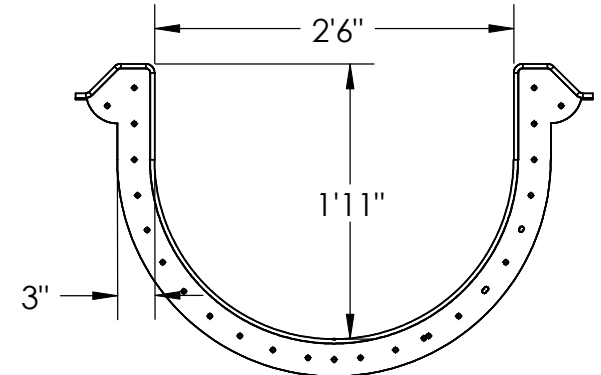


LEFT

REPRESENTS POOL COPING (0'-0") ALL ELEVATION DIMENSIONS ARE DERIVED FROM THIS LINE



TOP



FLUME DIMENSIONS

2" STUB UP LOC. FOR PLUMBING

ALL 32" OPEN FLUME SLIDES ARE CONSTRUCTED OF LAMINATED FIBERGLASS REINFORCED MARINE GELCOAT SURFACE.

MATERIAL THICKNESS: 1/4"-3/8"

FLUME TYPE	OPEN
CL LENGTH	30'-5"
ELEVATION	7'-9"
ENTRY ANGLE	15°
SLOPE	23.59%
FALL PER FOOT	2.83"
GPM REQUIRED	150-175
WATER DEPTH	3'-6" MINIMUM

TITLE: **RB32-30**

SIZE  
**A**

**PRE-DESIGN**

REV



PO Box 486 P: 731.632.1407  
Adamsville, TN 38310 F: 731.632.3739

www.dolphinwaterslides.net  
sales@dolphinwaterslides.net

DRAWN 8.Thomas 7/16/2009

**PROPRIETARY AND CONFIDENTIAL**

THE INFORMATION CONTAINED IN THIS DRAWING IS THE SOLE PROPERTY OF DOLPHIN WATERSLIDES, INC. ANY REPRODUCTION IN PART OR AS A WHOLE WITHOUT THE WRITTEN PERMISSION OF DOLPHIN WATERSLIDES, INC IS PROHIBITED.