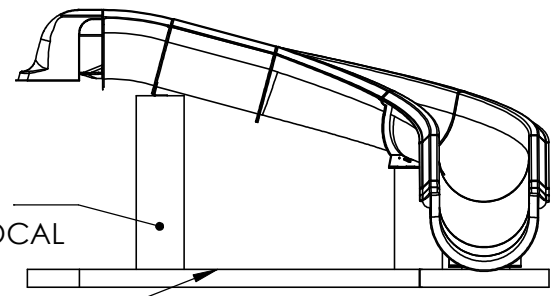
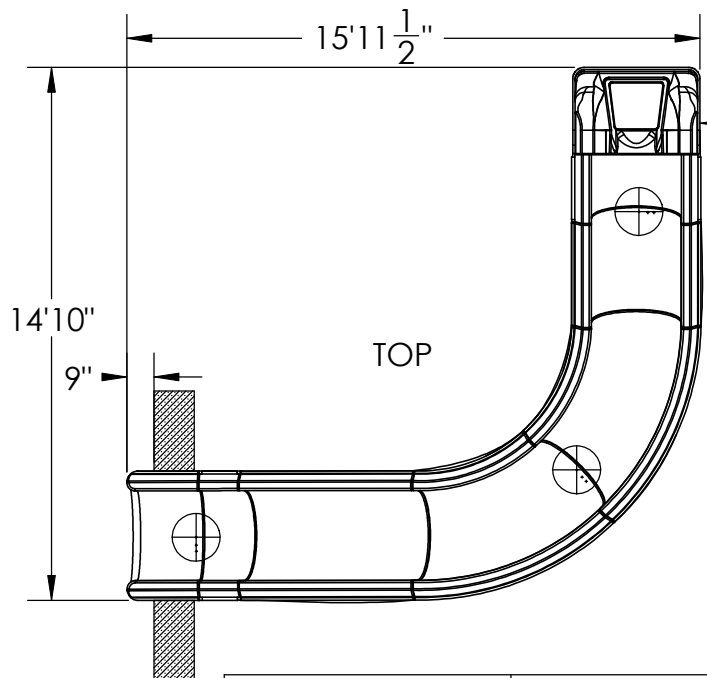


FRONT



LEFT

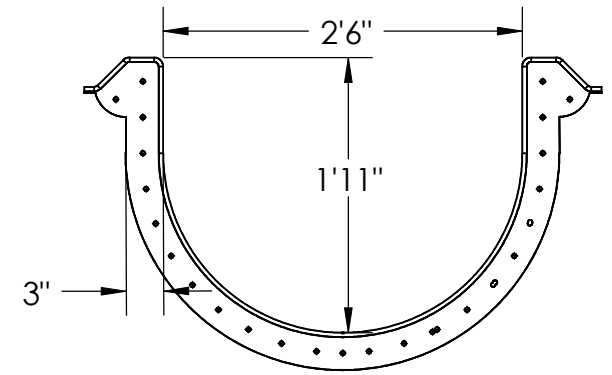
PIER ELEVATION SPECIFIED IN CONSTRUCTION DRAWINGS, DEPTH DETERMINED BY LOCAL FROST DEPTH



TOP

REPRESENTS POOL COPING (0'-0") ALL ELEVATION DIMENSIONS ARE DERIVED FROM THIS LINE

2" STUB UP LOC. FOR PLUMBING



FLUME DIMENSIONS

ALL 32" OPEN FLUME SLIDES ARE CONSTRUCTED OF LAMINATED FIBERGLASS REINFORCED MARINE GELCOAT SURFACE.

MATERIAL THICKNESS: 1/4"-3/8"

FLUME TYPE	OPEN
CL LENGTH	25'-11 3/4"
ELEVATION	5'-3"
ENTRY ANGLE	15°
SLOPE	22.36%
FALL PER FOOT	2.68"
GPM REQUIRED	125-150
WATER DEPTH	3'-6" MINIMUM

TITLE: **RB32-26**

SIZE
A

PRE-DESIGN

REV



PO Box 486 Adamsville, TN 38310 P: 731.632.1407 F: 731.632.3739

www.dolphinwaterslides.net sales@dolphinwaterslides.net

DRAWN 8.Thomas 7/16/2009

PROPRIETARY AND CONFIDENTIAL
THE INFORMATION CONTAINED IN THIS DRAWING IS THE SOLE PROPERTY OF DOLPHIN WATERSLIDES, INC. ANY REPRODUCTION IN PART OR AS A WHOLE WITHOUT THE WRITTEN PERMISSION OF DOLPHIN WATERSLIDES, INC IS PROHIBITED.