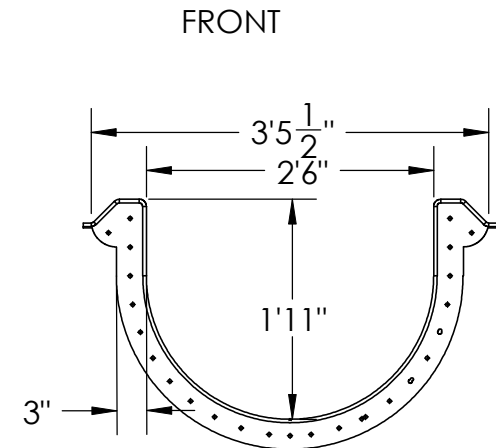
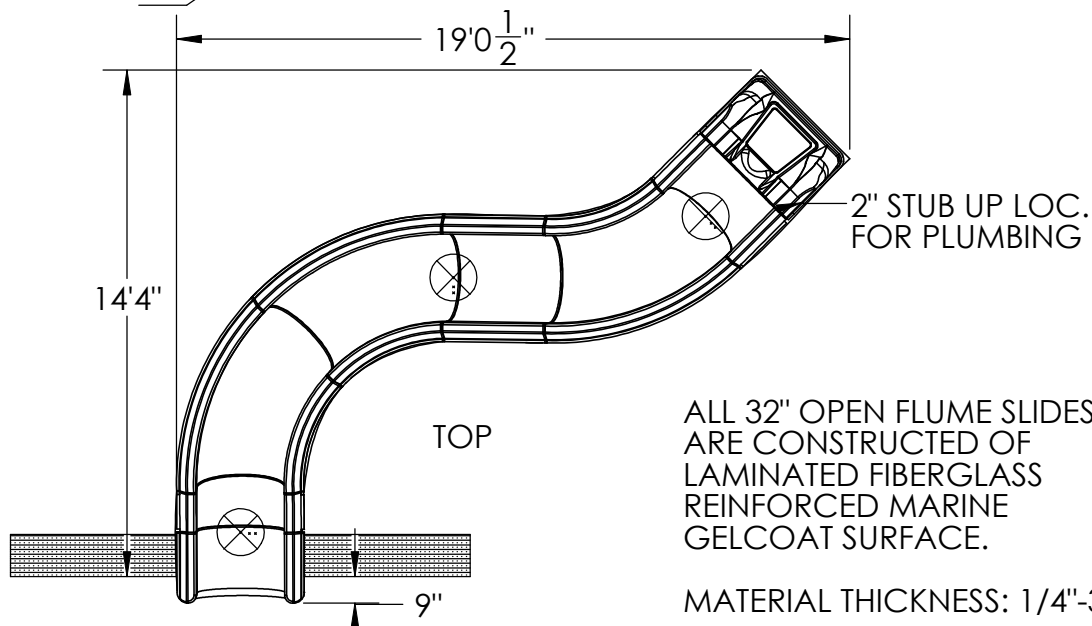


REPRESENTS POOL COPING (0'-0") ALL ELEVATION DIMENSIONS ARE DERIVED FROM THIS LINE



ALL 32" OPEN FLUME SLIDES ARE CONSTRUCTED OF LAMINATED FIBERGLASS REINFORCED MARINE GELCOAT SURFACE.

MATERIAL THICKNESS: 1/4"-3/8"

FLUME DIMENSIONS

FLUME TYPE	OPEN
CL LENGTH	25'-8 1/4"
ELEVATION	5'-6"
ENTRY ANGLE	15°
SLOPE	23.71%
FALL PER FOOT	2.85"
GPM REQUIRED	125-150
WATER DEPTH	3'-6" MINIMUM

TITLE: **RB32-25**

SIZE

**A**

**PRE-DESIGN**

REV



PO Box 486 Adamsville, TN 38310 P: 731.632.1407 F: 731.632.3739

www.dolphinwaterslides.net sales@dolphinwaterslides.net

DRAWN 8.Thomas 7/16/2009

**PROPRIETARY AND CONFIDENTIAL**

THE INFORMATION CONTAINED IN THIS DRAWING IS THE SOLE PROPERTY OF DOLPHIN WATERSLIDES, INC. ANY REPRODUCTION IN PART OR AS A WHOLE WITHOUT THE WRITTEN PERMISSION OF DOLPHIN WATERSLIDES, INC IS PROHIBITED.