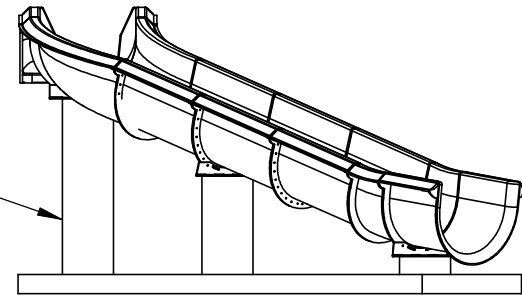
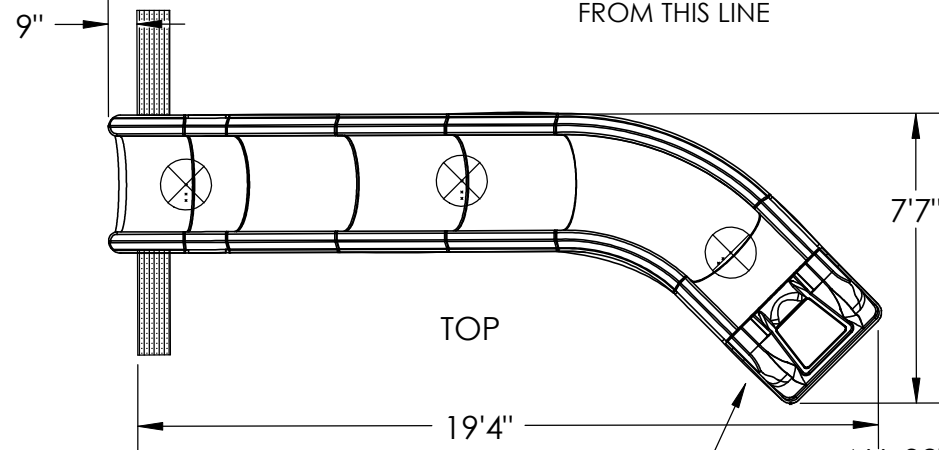


PIER ELEVATION SPECIFIED IN CONSTRUCTION DRAWINGS, DEPTH DETERMINED BY LOCAL FROST DEPTH



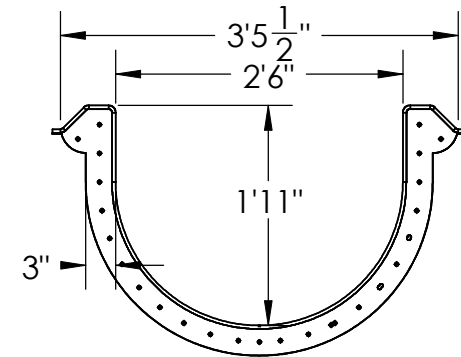
FRONT

REPRESENTS POOL COPING (0'-0") ALL ELEVATION DIMENSIONS ARE DERIVED FROM THIS LINE



TOP

2" STUB UP LOC. FOR PLUMBING



FLUME DIMENSIONS

ALL 32" OPEN FLUME SLIDES ARE CONSTRUCTED OF LAMINATED FIBERGLASS REINFORCED MARINE GELCOAT SURFACE.

MATERIAL THICKNESS: 1/4"-3/8"

FLUME TYPE	OPEN
CL LENGTH	22'- 6 1/2"
ELEVATION	5'-0"
ENTRY ANGLE	15°
SLOPE	24.93%
FALL PER FOOT	3"
GPM REQUIRED	125-150
WATER DEPTH	3'-6" MINIMUM

TITLE: **RB32-22**

SIZE

**A**

**PRE-DESIGN**

REV



PO Box 486  
Adamsville, TN 38310  
P: 731.632.1407  
F: 731.632.3739

www.dolphinwaterslides.net  
sales@dolphinwaterslides.net

DRAWN B.Thomas 7/16/2009

**PROPRIETARY AND CONFIDENTIAL**

THE INFORMATION CONTAINED IN THIS DRAWING IS THE SOLE PROPERTY OF DOLPHIN WATERSLIDES, INC. ANY REPRODUCTION IN PART OR AS A WHOLE WITHOUT THE WRITTEN PERMISSION OF DOLPHIN WATERSLIDES, INC IS PROHIBITED.